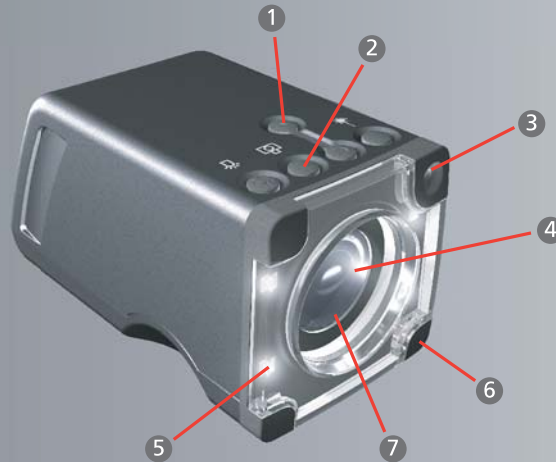


AFX₄₀[™]

The AFX-40 is a small state-of-the-art multipurpose handheld color video camera that can achieve the highest quality of image even in very low light conditions. The AFX-40 is equipped with a 40x zoom, a laser pointer and an integrated lighting system. It can be connected to a Frontline Communicator system, a videoconferencing system, a television or a projector.



- 1** 40x zoom
- 2** Snapshot button
- 3** Laser pointer
- 4** Auto focus
- 5** Shock protectors
- 6** VGA resolution
- 7** Integrated lighting system

Features

- VGA resolution
- Auto focus
- 40x zoom (10x optical and 4x digital)
- Digital signal processing (DSP)
- Automatic gain control
- High-speed serial communication
- Low power consumption (minimum 1.5W)
- Integrated lighting system (4 LED natural light illumination)
- Class II laser pointer (harmless for the eyes)
- Snapshot button
- On/Off button
- Shock protectors
- Dust and water resistant
- Standard attachment system for tripods
- Weight: 160g (5.5 oz)

Specifications

- **Image sensor:** CCD
- **Resolution:** 640 x 480 (VGA), approx. 440 000 pixels
- **Lens:** f = 4.2 to 42 mm, F1.8 to F2.9
- **Minimum object distance:** 10 (wide end), 1000 mm (tele end)
- **Minimum illumination:** 1.5 lx
- **Size:** 4.8 cm x 4.8 cm x 9.3 cm (1.9" x 1.9" x 3.6")
- **On-screen display:** Date, time and title
- **Shutter:** Electronic shutter / slow shutter
- **White balance:** Automatic or manual
- **Operating temp:** 0 to 50° C (32 to 122° F)
- **Storage temp:** -20 to 60° C (-4 to 140° F)
- **Modes:** Composite video or S-video
- **Compatibility:** NTSC / PAL

Accessories

- 6 m (20') extension wire
- Belt clip and storage system
- Junction box: Composite video, S-video, power and serial port
- AC adaptor